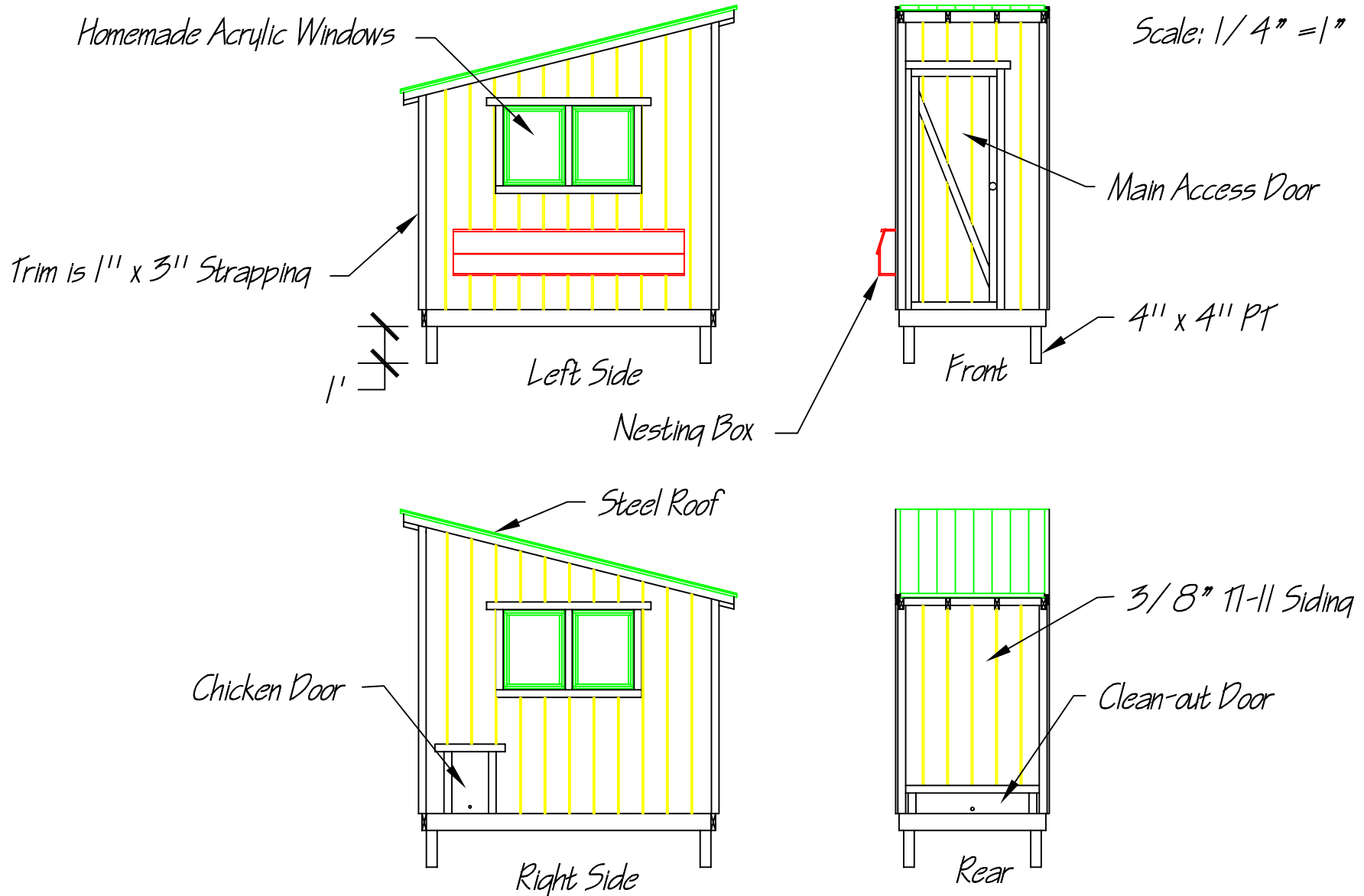


# 4' x 8' Downeast Thunder Farm Chicken Coop

DWG A

Scale: 1/4" = 1"

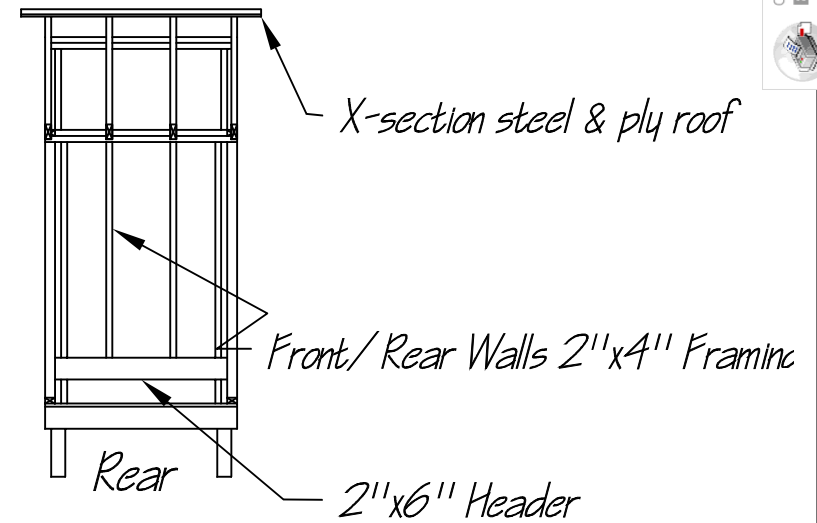
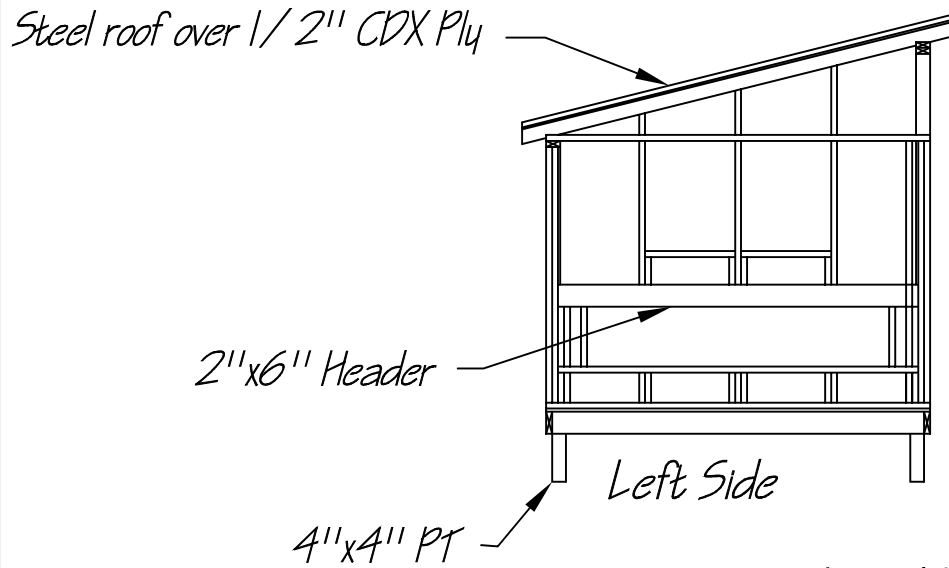


Designed by: Paul J. Bennett

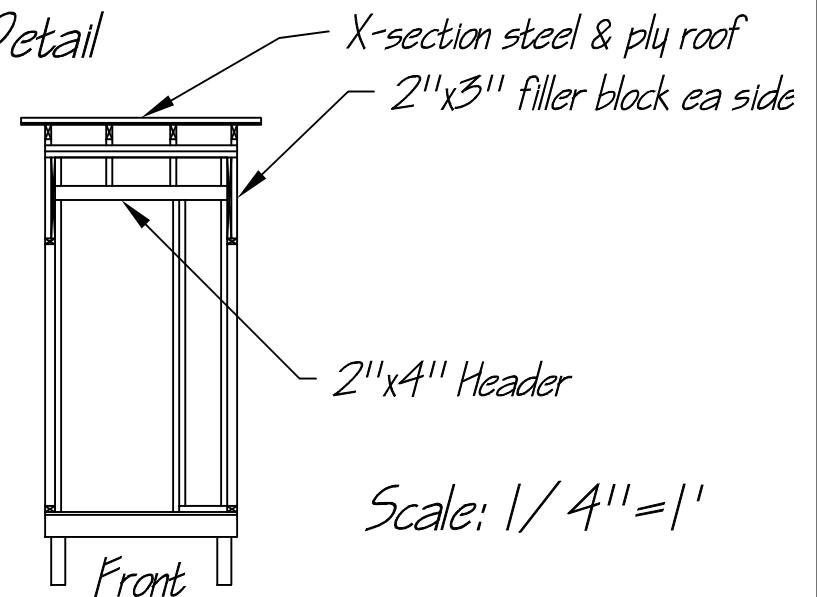
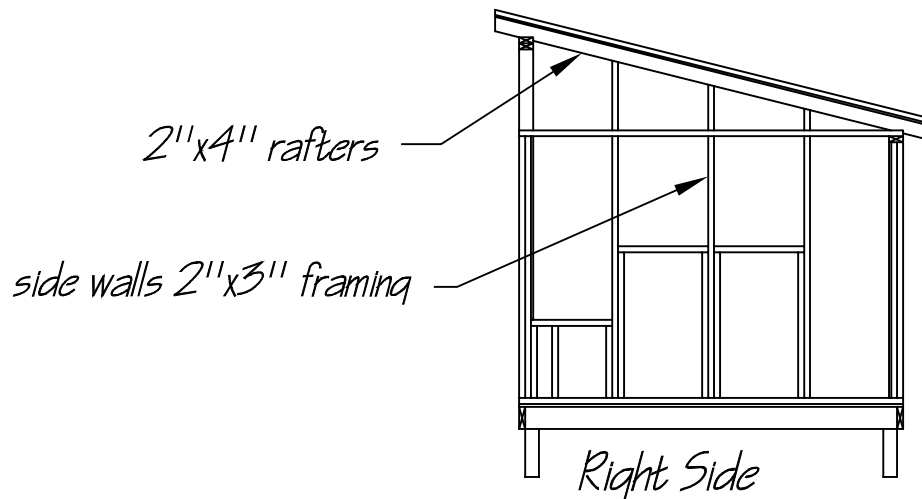
Copyright 2011, Downeast Thunder Farm

# 4' x 8' Downeast Thunder Farm Chicken Coop

DWG B



## Completed Framing Detail



Scale: 1/4" = 1'

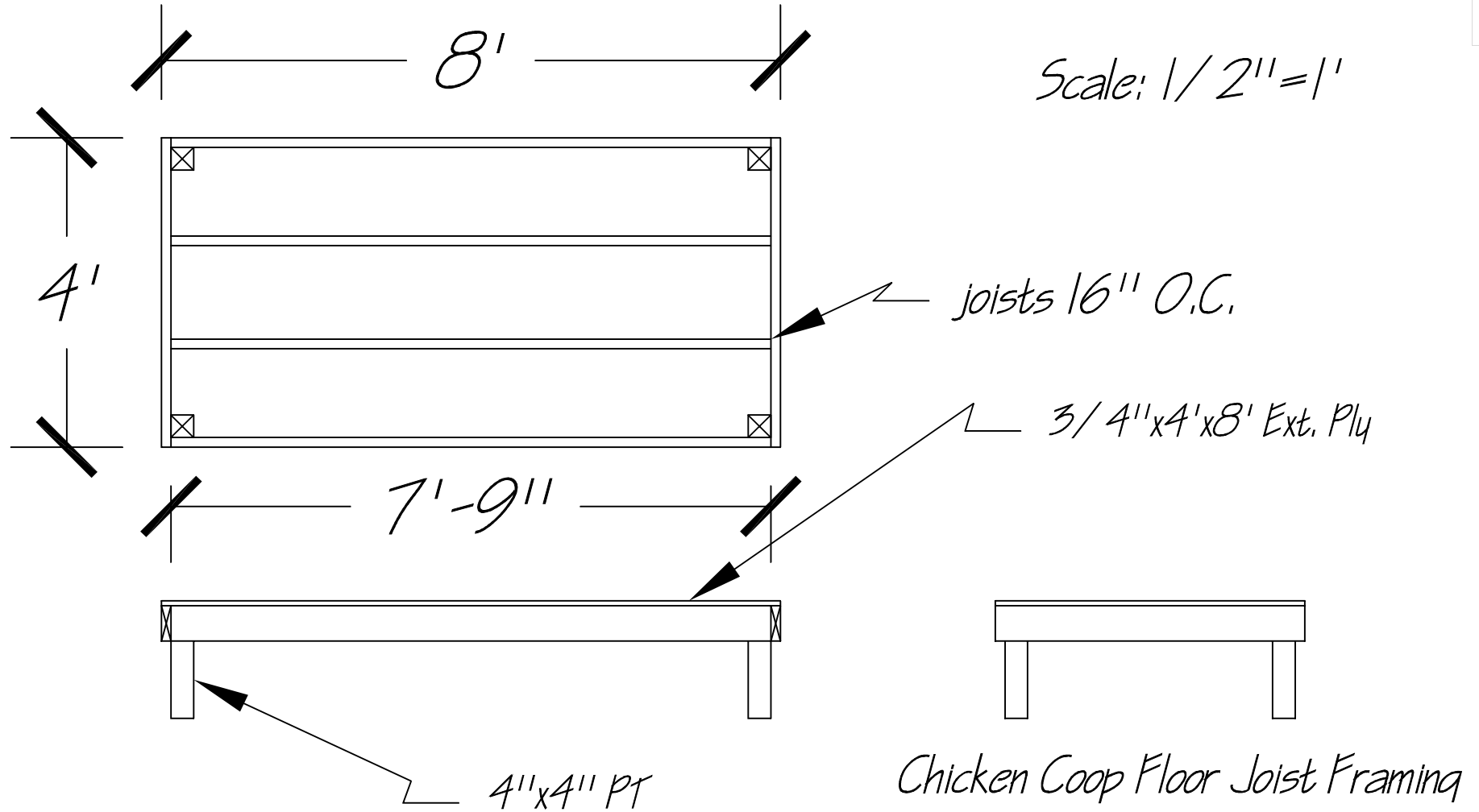
Designed by: Paul J. Bennett

Copyright 2011, Downeast Thunder Farm

# 4' x 8' Downeast Thunder Farm Chicken Coop

## DWG C

Scale: 1/2" = 1'



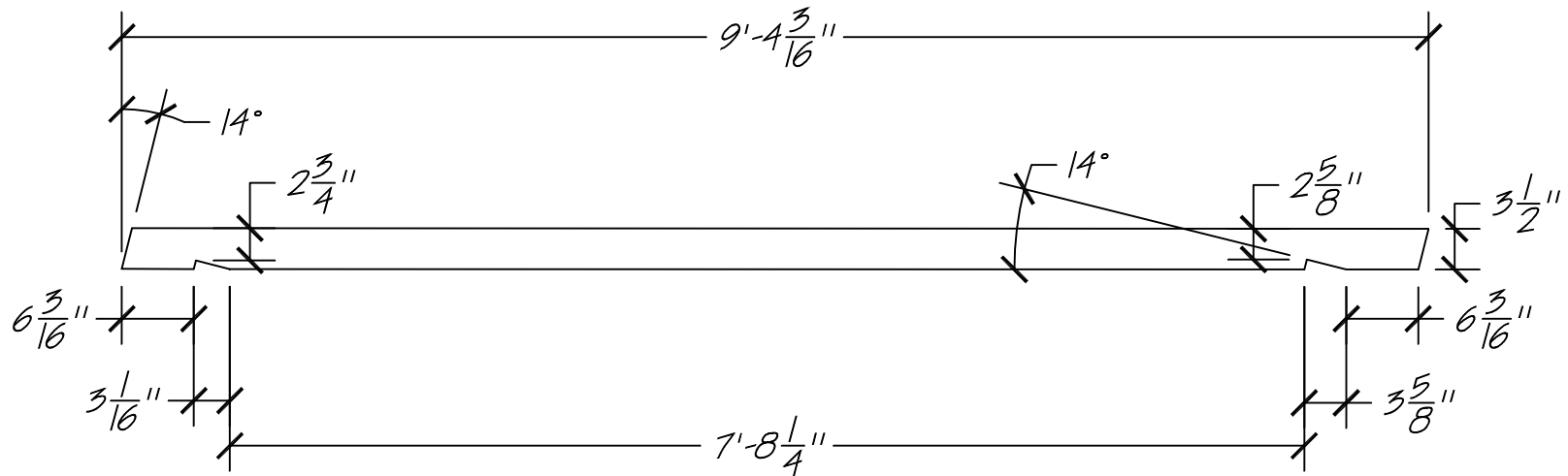
Designed by: Paul J. Bennett

Copyright 2011, Downeast Thunder Farm

# 4' x 8' Downeast Thunder Farm Chicken Coop

Scale:  $3/4'' = 1'$

DWG D

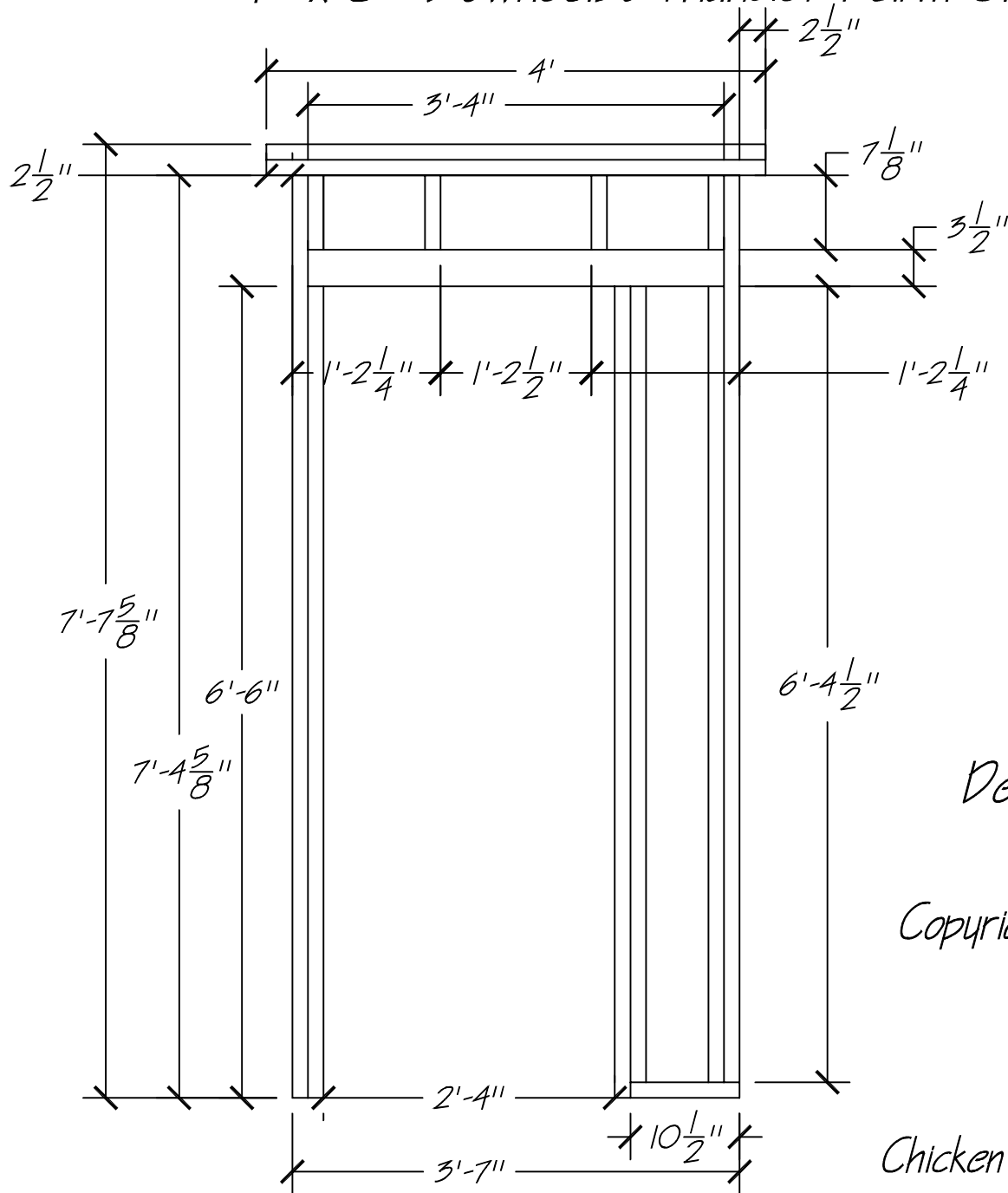


Chicken Coop Rafters - 4 Required

Designed by: Paul J. Bennett

Copyright 2011, Downeast Thunder Farm

# 4' x 8' Downeast Thunder Farm Chicken Coop



DWG E

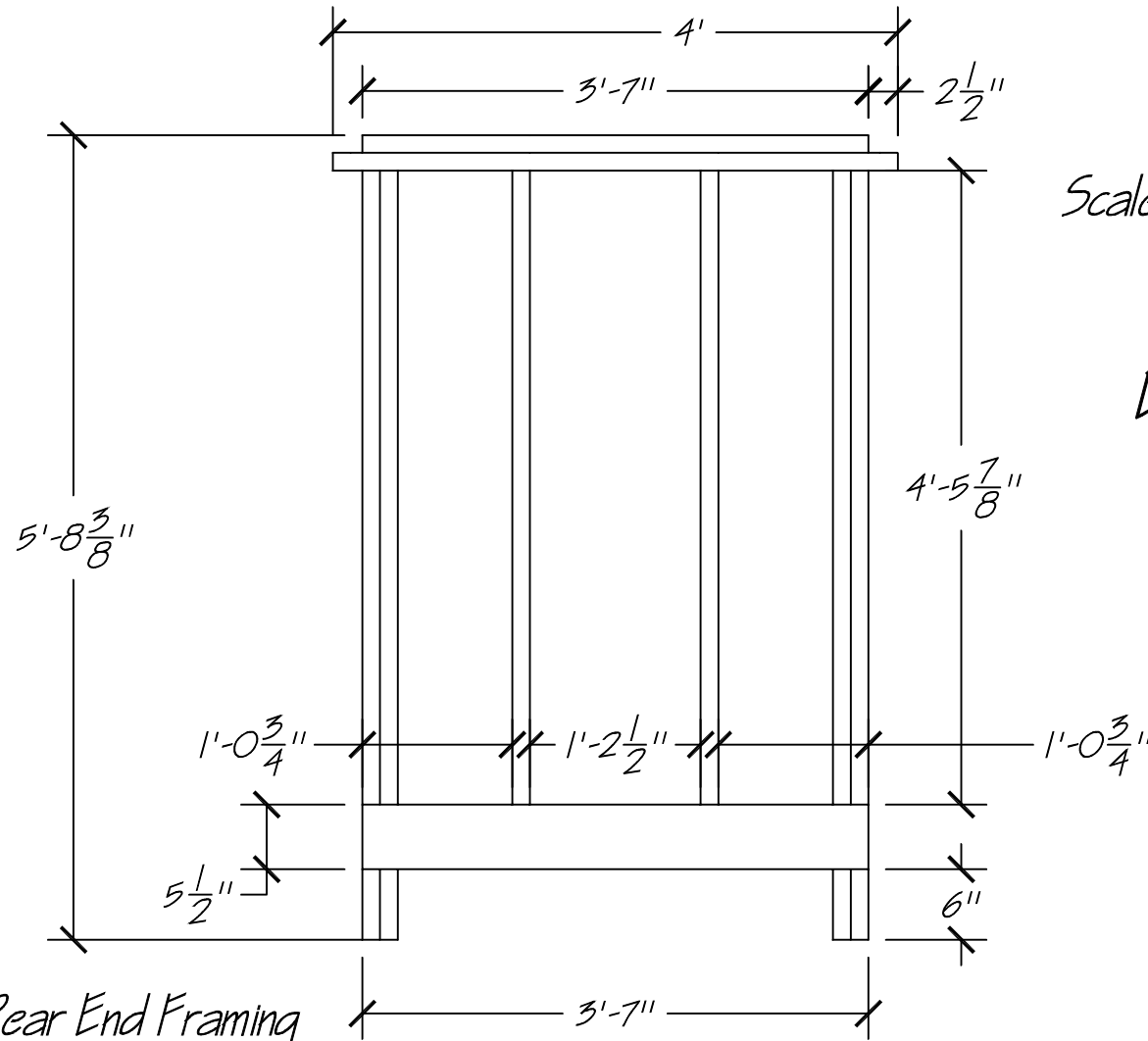
Scale: 3/4" = 1'

Designed by: Paul J. Bennett

Copyright 2011, Downeast Thunder Farm

Chicken Coop Front End Framing

# 4' x 8' Downeast Thunder Farm Chicken Coop



Scale: 3/4" = 1'

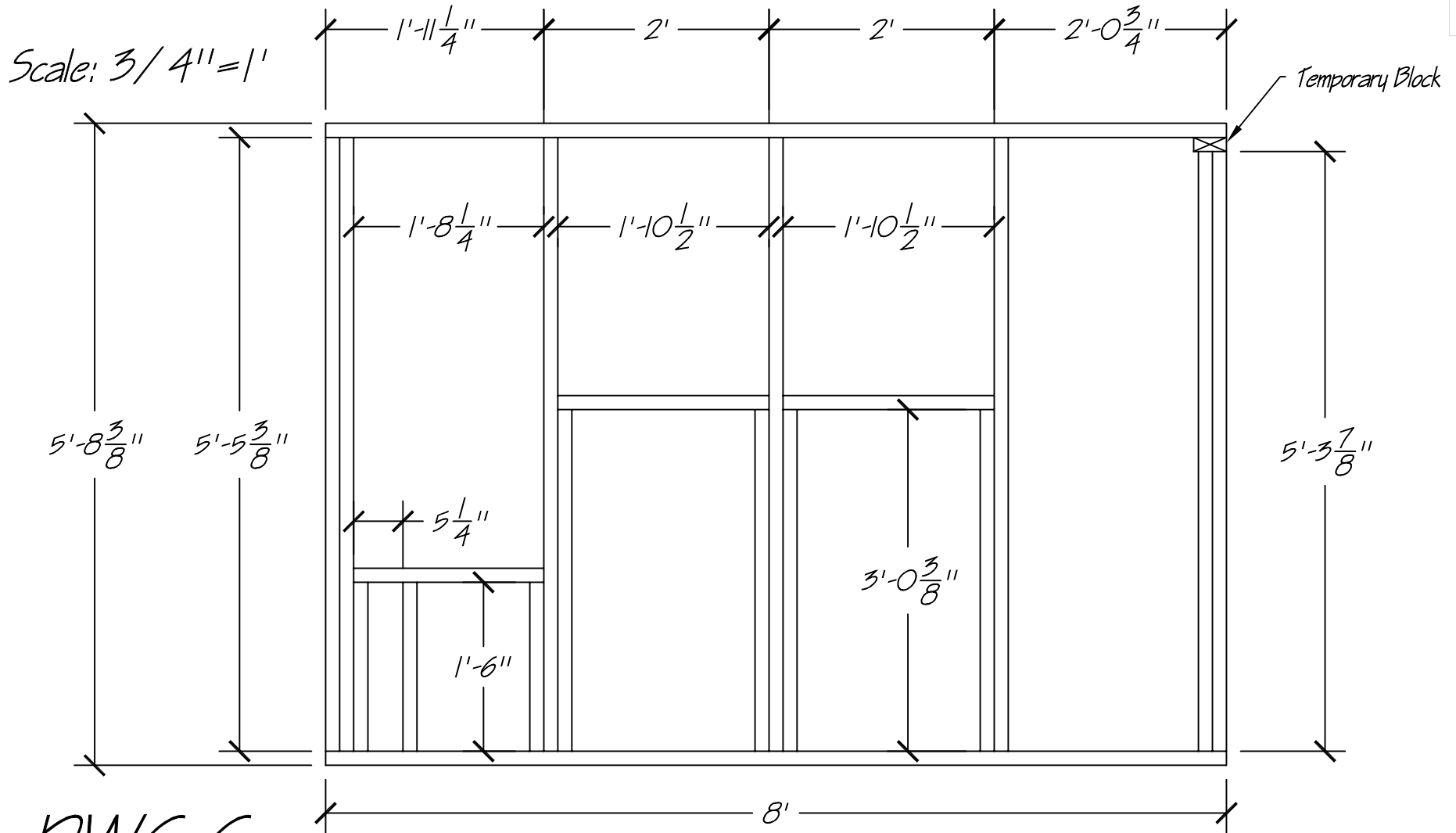
DWG F

Designed by: Paul J. Bennett

Copyright 2011, Downeast Thunder Farm

# 4' x 8' Downeast Thunder Farm Chicken Coop

Scale:  $3/4'' = 1'$



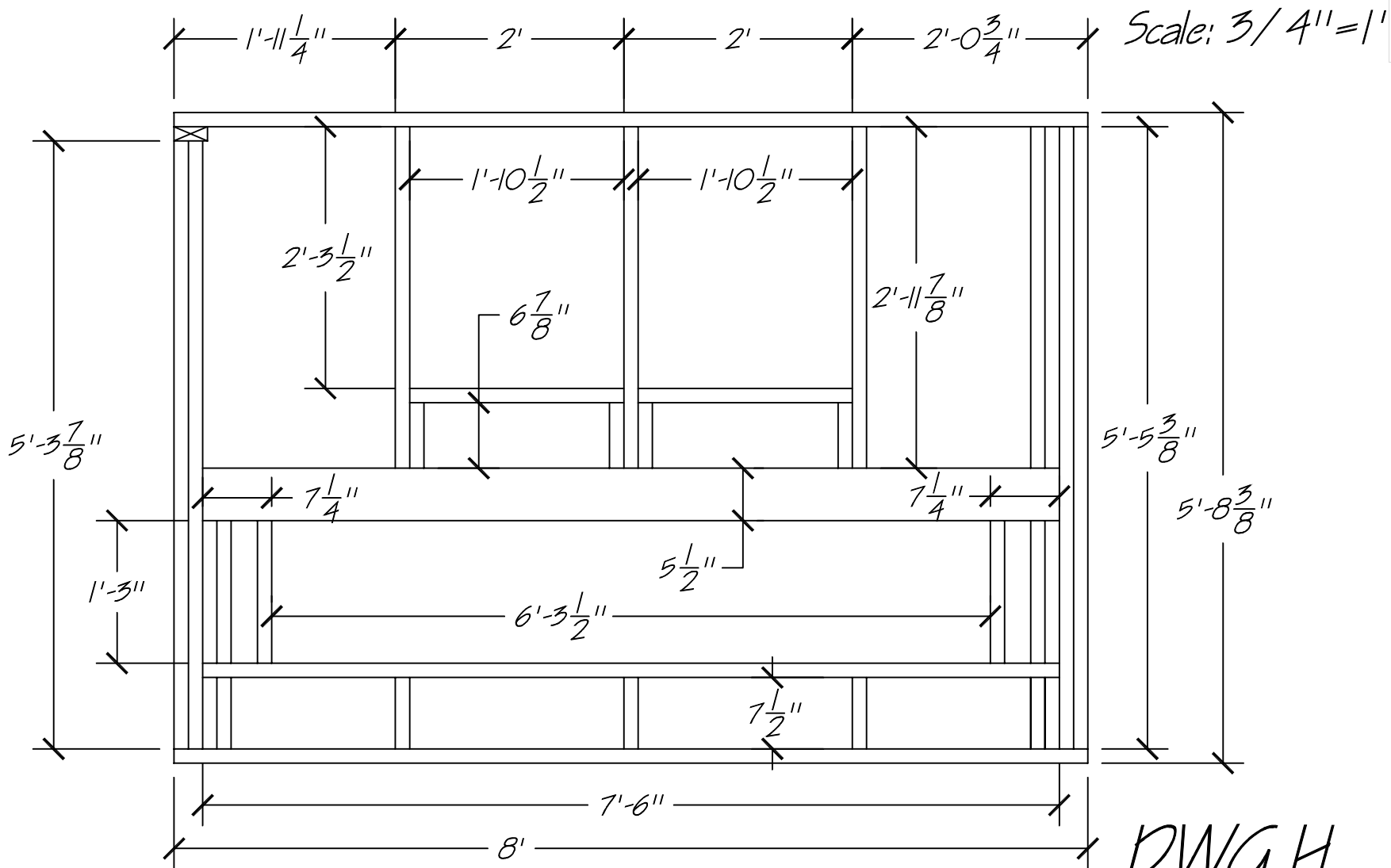
DWG G

Chicken Coop Right Side Framing

Designed by: Paul J. Bennett

Copyright 2011, Downeast Thunder Farm

# 4' x 8' Downeast Thunder Farm Chicken Coop



Chicken Coop Left Side Framing

DWG H

Designed by: Paul J. Bennett

Copyright 2011, Downeast Thunder Farm